



Ventmann

*klimaoprema*

AirIDEA

powietrze nigdy nie było tak eleganckie



FRAMELESS DIFFUSERS  
**TECHNICAL CATALOGUE**

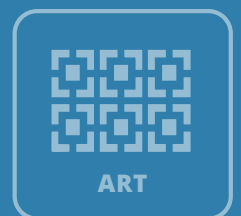
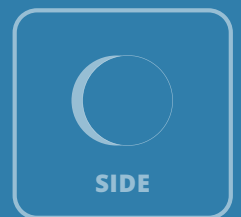
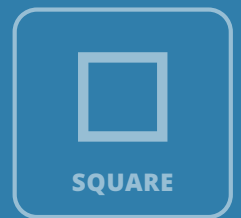
# LINE







The frameless slot diffusers which can be applied with putty, LINE, are easily adapted to a variety of interiors. The facade part of the diffusers is sanded, sealed and painted together with the entire surface to be painted. These diffusers can be used for both air supply and exhaust. Segmentally connected to an unlimited diffuser of unlimited length, resulting in a seamless image without any spacing or edges. Easy connection from various angles. Can be used as a décor element without mounting the junction box to maintain integrity. The acoustic insulation material in the junction box absorbs noise and increases comfort.



Installation:  
video instructions  
 YouTube

# LINE 1/12

## SLOT DIFFUSER



**1**  
AMOUNT OF SLOTS

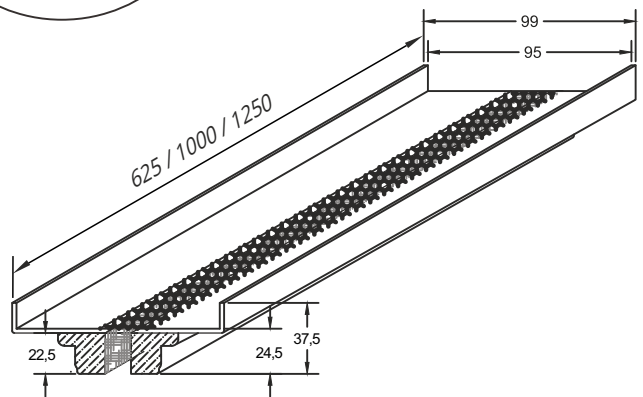
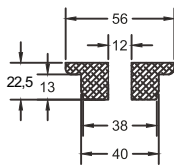
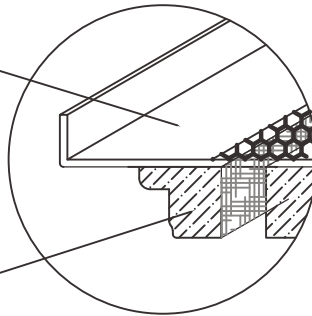
**12 mm**  
WIDTH OF SLOT

**2.5 kg**  
1 M. LENGTH DIFFUSER WEIGHT  
WITHOUT PACKAGING (NET)

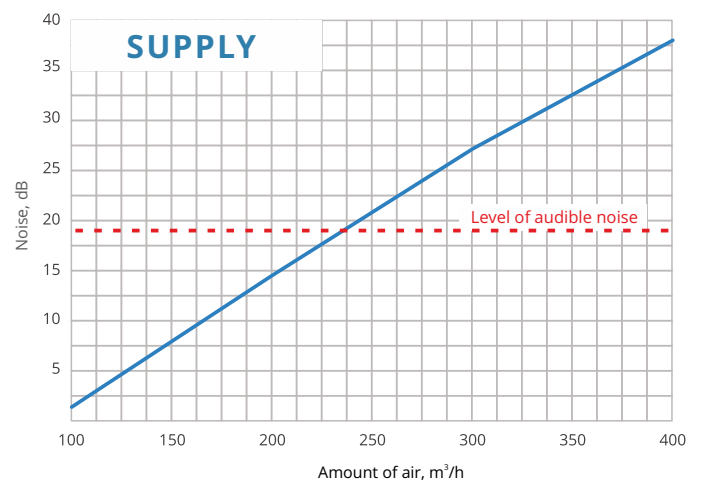
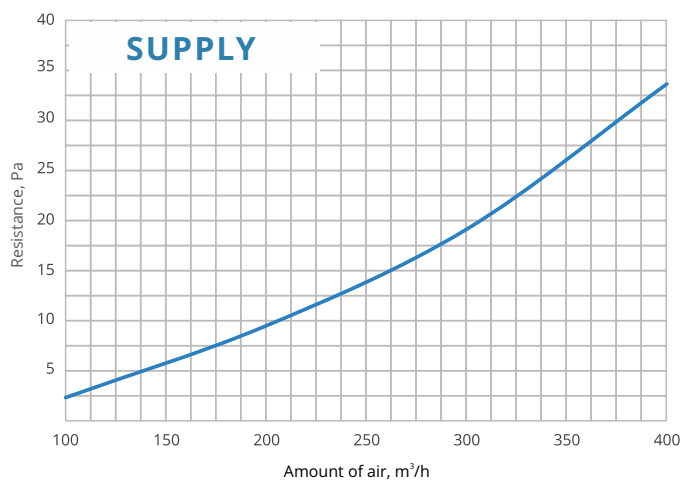
**625 / 1000 / 1250**  
STANDARD SLOT LENGTH (MM)

Steel, honeycomb punched sheet. Distributes the exhaust air through the diffuser.

Gypsum mix segment. Sanded, puttied, painted. Suitable for all operations in combination with surface finishing

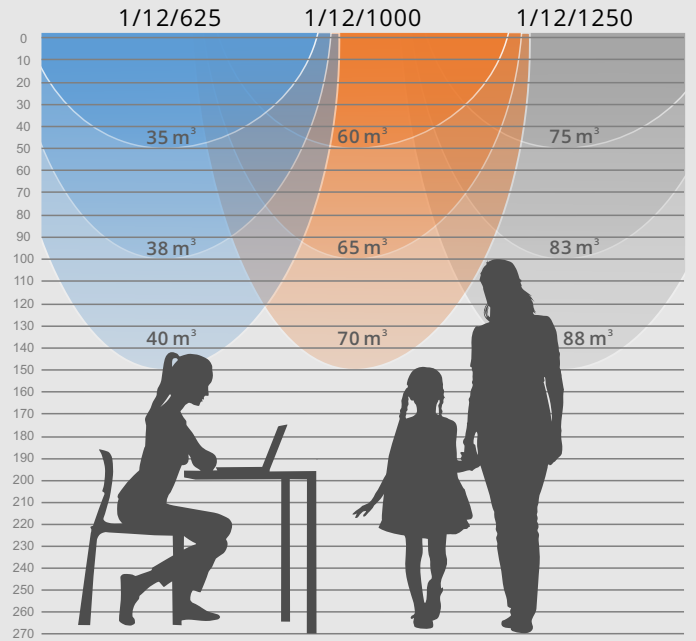


### Airborne noise and resistance, 1 m.



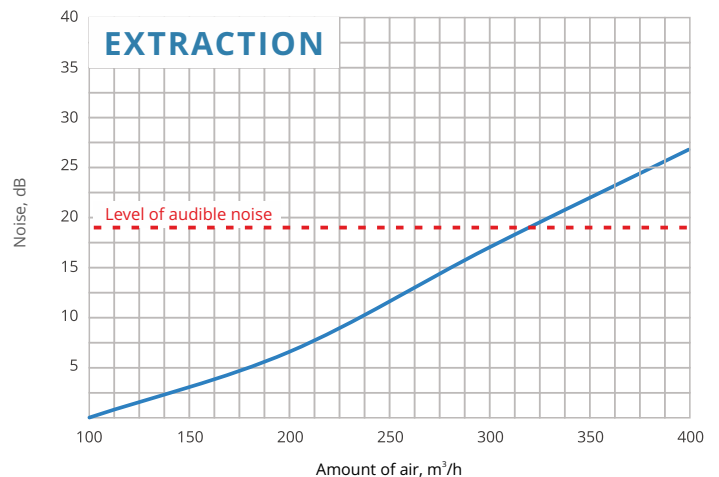
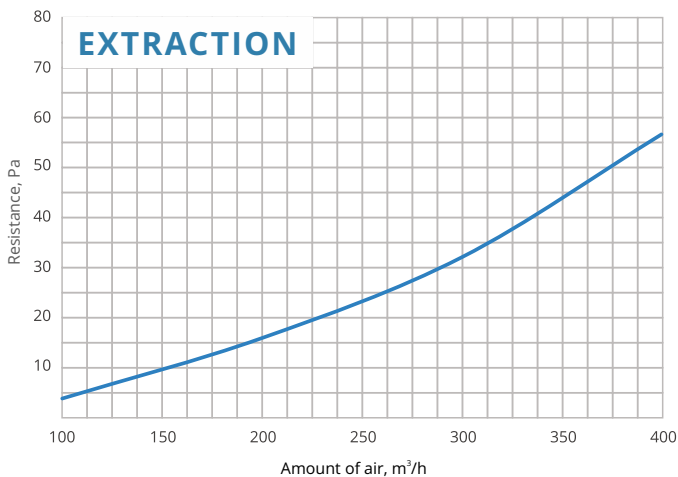
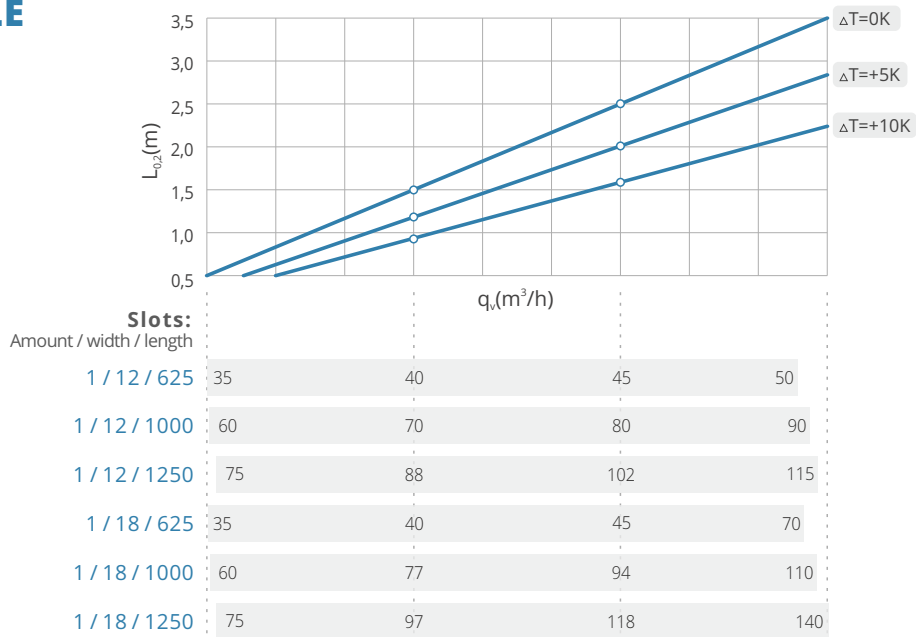
Slot narrower by a third, which is less noticeable indoors, is called the Slim version. When the gap is narrowed, the diffuser hardly loses its technical capabilities. Great choice for subtle integration of diffuser into minimalist spaces.

## PERCEPTIBLE AIRSPEED $L_{0,2}(m)$ DISTANCE



Airflow perceptible with the Line diffuser at a height of 2.70 m

## PERCEPTIBLE AIRSPEED REACH LIMIT



# LINE 1/18

## SLOT DIFFUSER



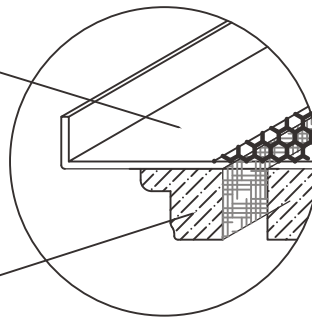
**1**  
AMOUNT OF SLOTS

**18 mm**  
WIDTH OF SLOT

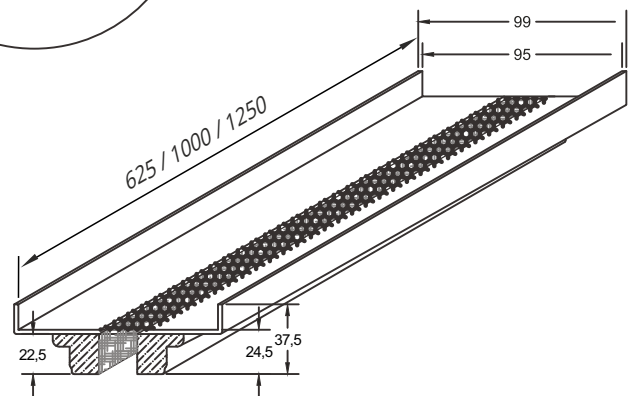
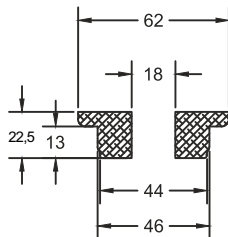
**2.5 kg**  
1 M. LENGTH DIFFUSER WEIGHT  
WITHOUT PACKAGING (NET)

**625 / 1000 / 1250**  
STANDARD SLOT LENGTH (MM)

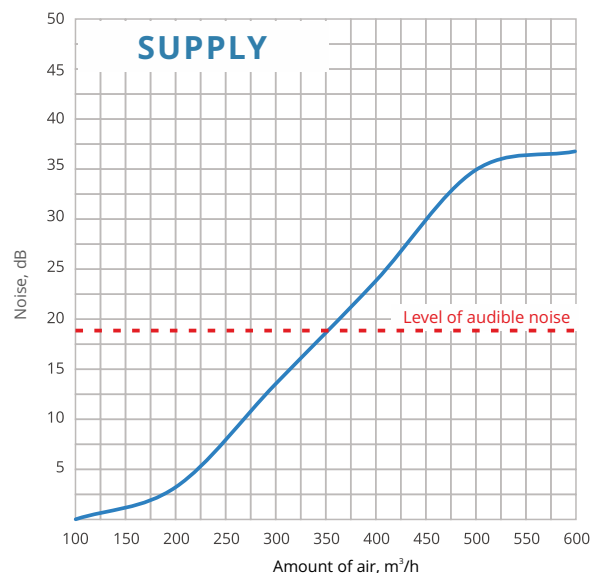
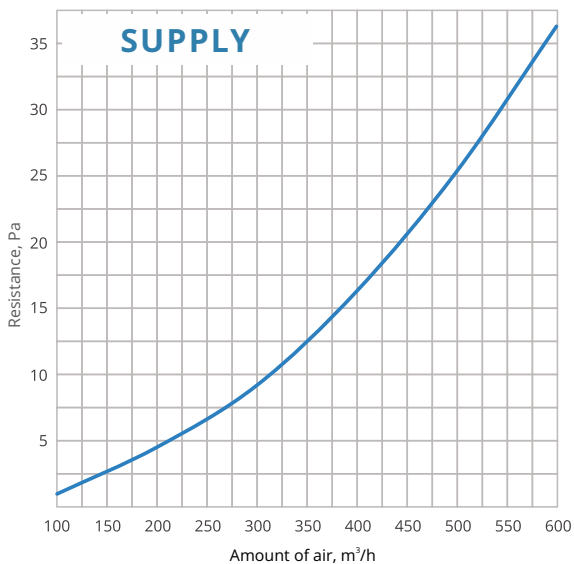
Steel, honeycomb punched sheet. Distributes the exhaust air through the diffuser.



Gypsum mix segment. Sanded, putted, painted. Suitable for all operations in combination with surface finishing

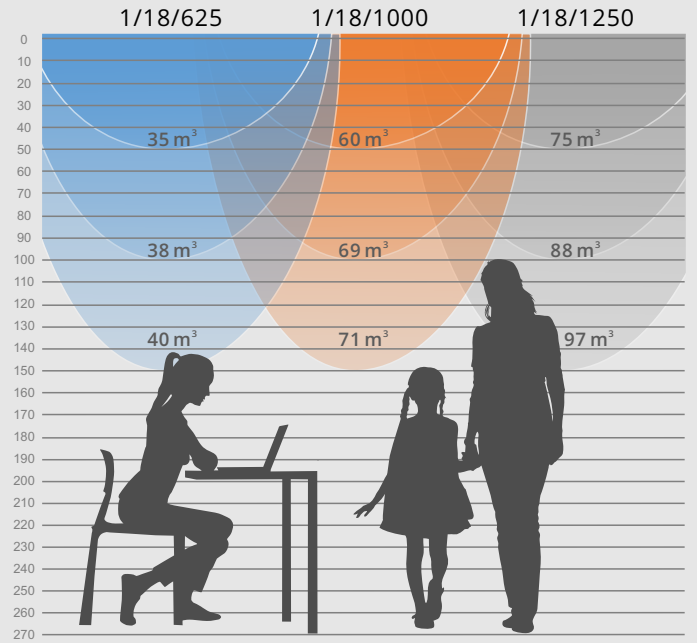


## Airborne noise and resistance, 1 m.



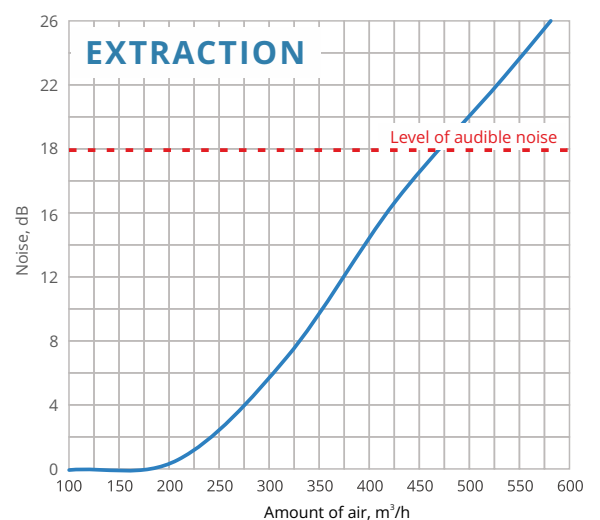
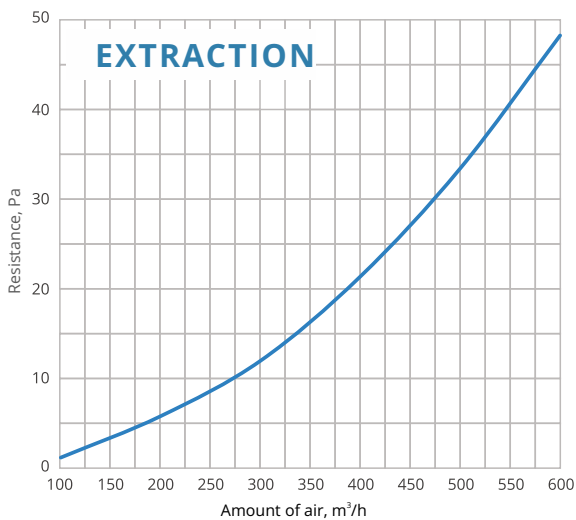
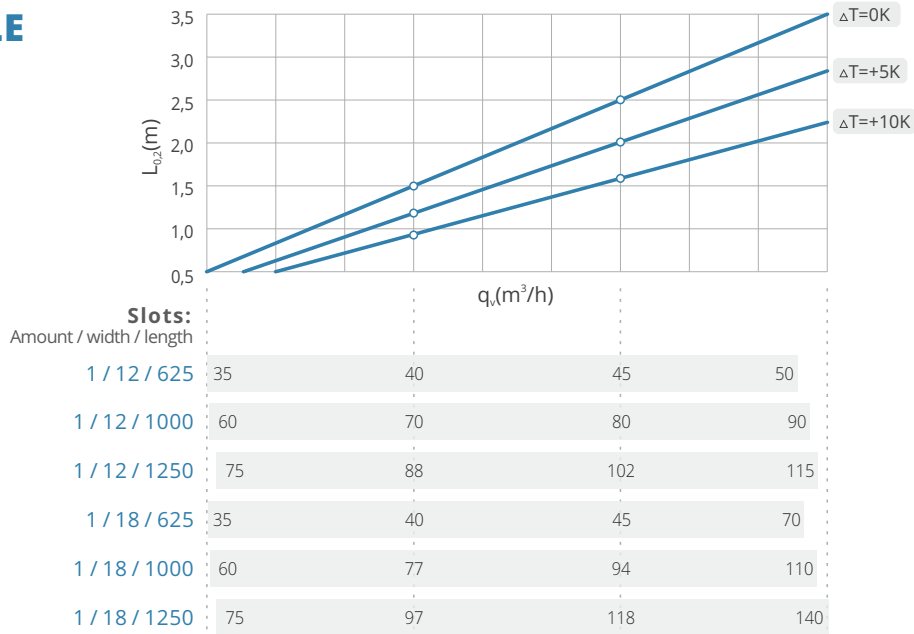
One slot diffuser gives the interior a feeling of lightness, seamlessly integrates the ventilation system into the space, adds elegance and exclusivity.

## PERCEPTIBLE AIRSPEED $L_{0,2}(m)$ DISTANCE



Airflow perceptible with the Line diffuser at a height of 2.70 m

## PERCEPTIBLE AIRSPEED REACH LIMIT



# LINE 2/12

## SLOT DIFFUSER



**2**  
AMOUNT OF SLOTS

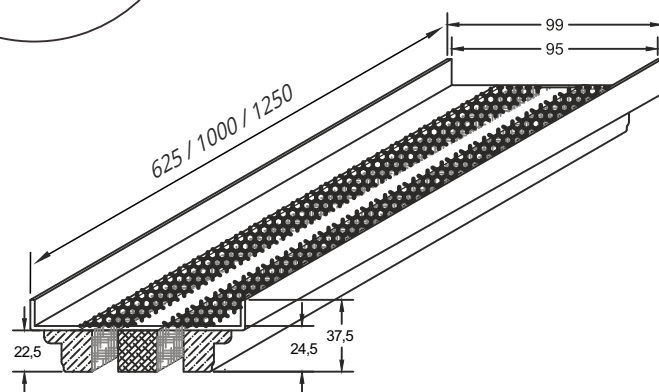
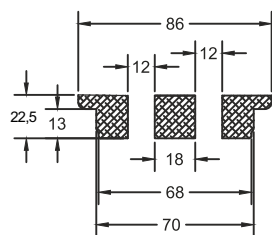
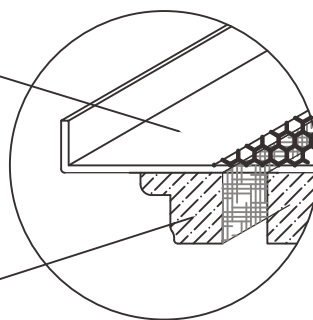
**12 mm**  
WIDTH OF SLOT

**2.735 kg**  
1 M. LENGTH DIFFUSER WEIGHT  
WITHOUT PACKAGING (NET)

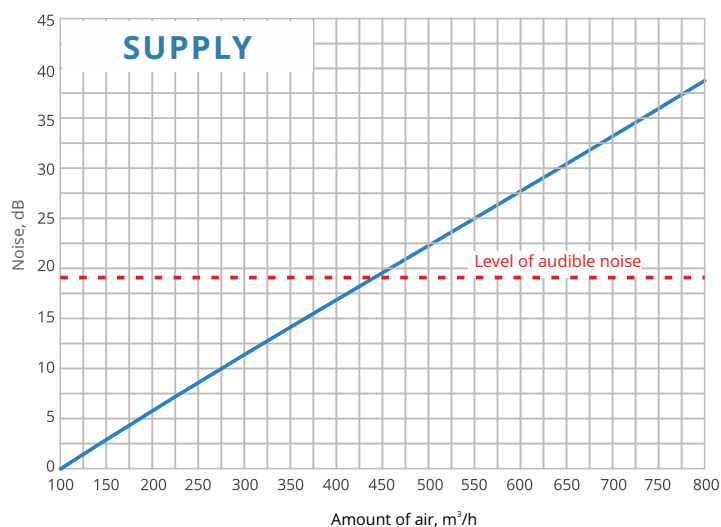
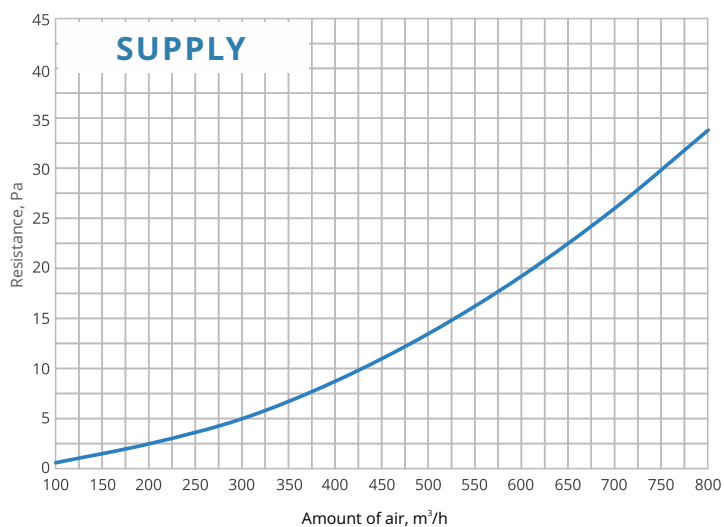
**625 / 1000 / 1250**  
STANDARD SLOT LENGTH (MM)

Steel, honeycomb punched sheet. Distributes the exhaust air through the diffuser.

Gypsum mix segment. Sanded, puttied, painted. Suitable for all operations in combination with surface finishing



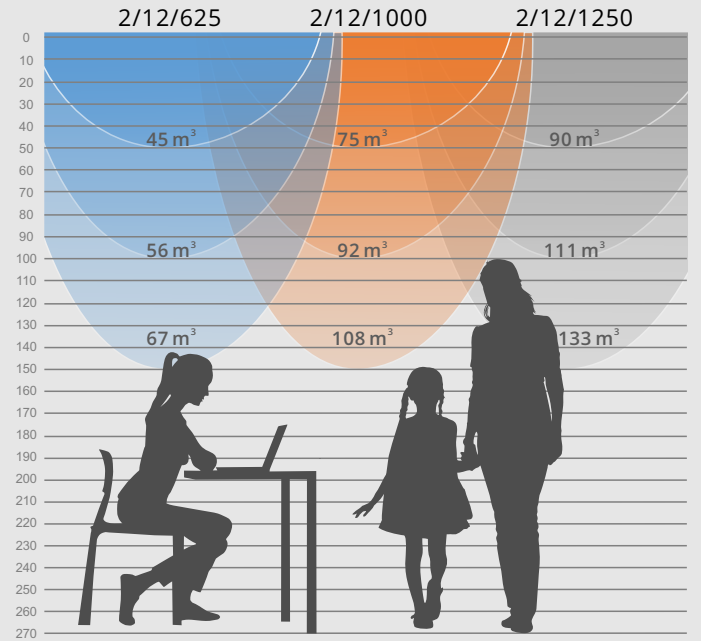
### Airborne noise and resistance, 1 m.





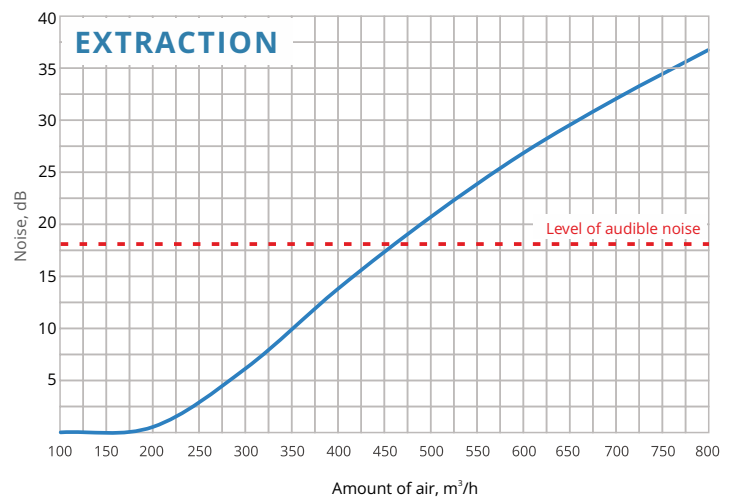
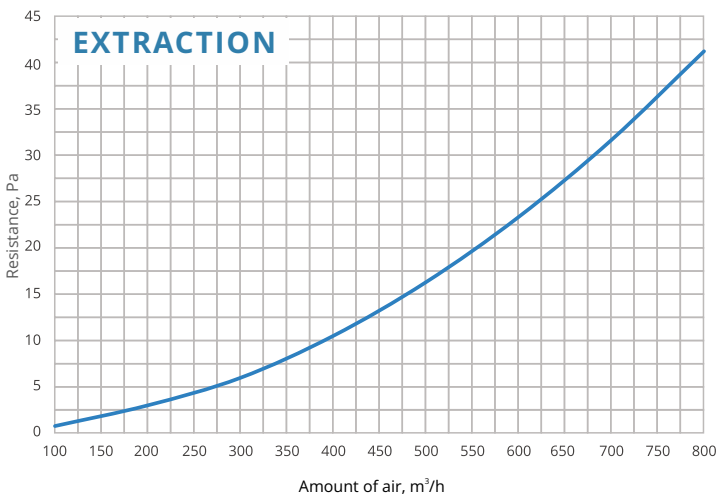
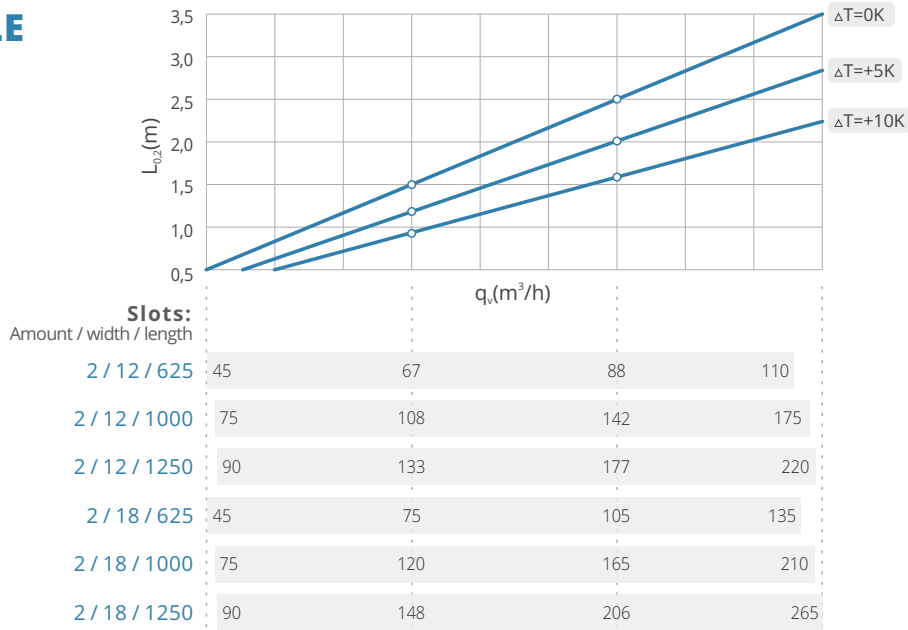
Slim slots are narrower by 30%, making them harder to spot in the environment. However, they do not compromise too much on functionality and aerodynamic properties. They are easily integrated into both walls and ceilings.

## PERCEPTIBLE AIRSPEED $L_{0,2}(m)$ DISTANCE



Airflow perceptible with the Line diffuser at a height of 2.70 m

## PERCEPTIBLE AIRSPEED REACH LIMIT



# LINE 2/18

## SLOT DIFFUSER



**2**  
AMOUNT OF SLOTS

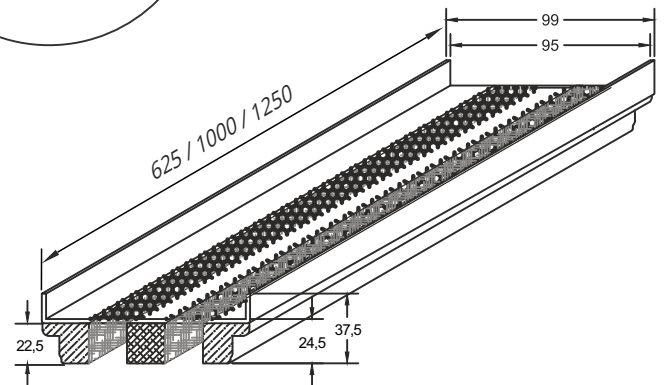
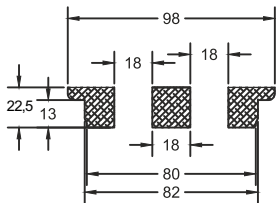
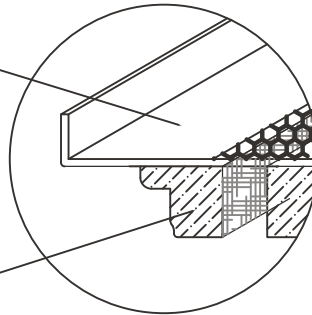
**18 mm**  
WIDTH OF SLOT

**2.735 kg**  
1 M. LENGTH DIFFUSER WEIGHT  
WITHOUT PACKAGING (NET)

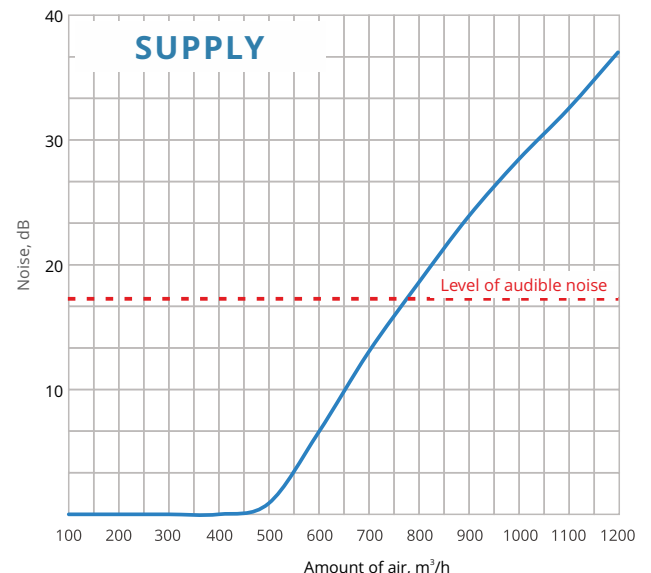
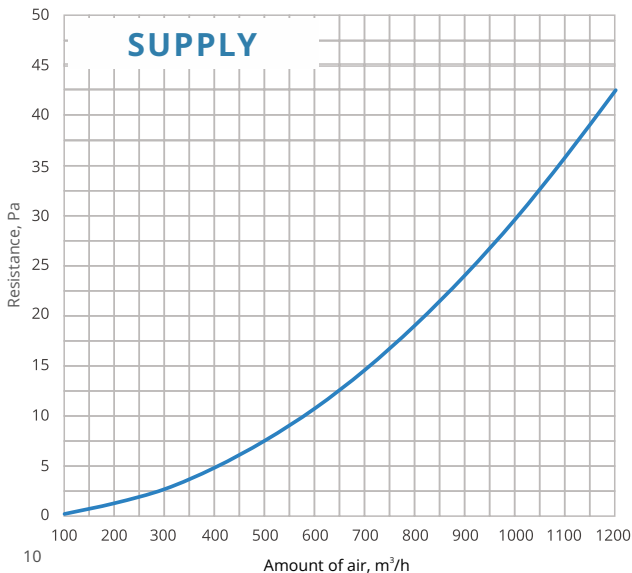
**625 / 1000 / 1250**  
STANDARD SLOT LENGTH (MM)

Steel, honeycomb punched sheet. Distributes the exhaust air through the diffuser.

Gypsum mix segment. Sanded, puttied, painted. Suitable for all operations in combination with surface finishing

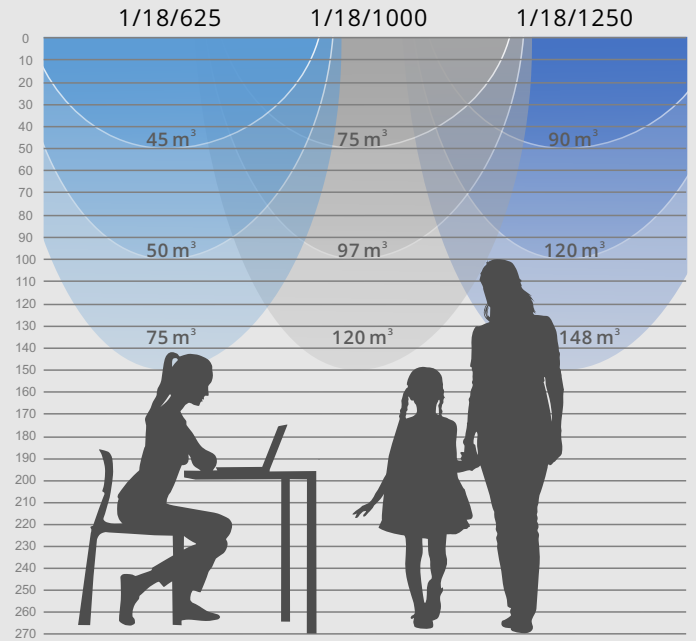


### Airborne noise and resistance, 1 m.



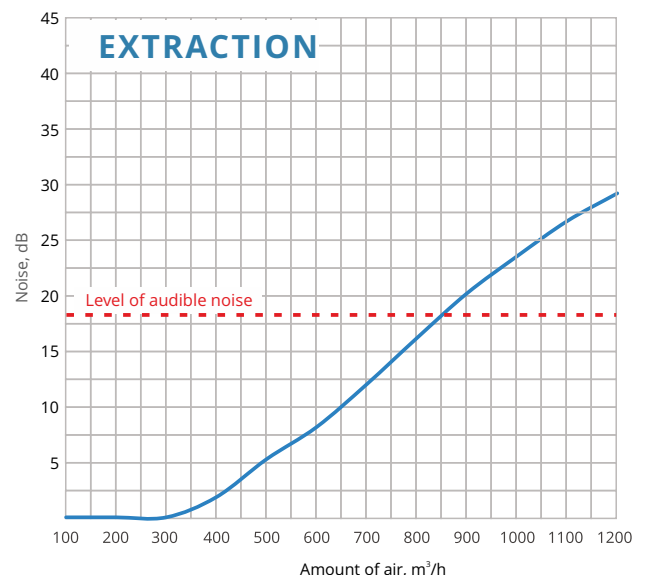
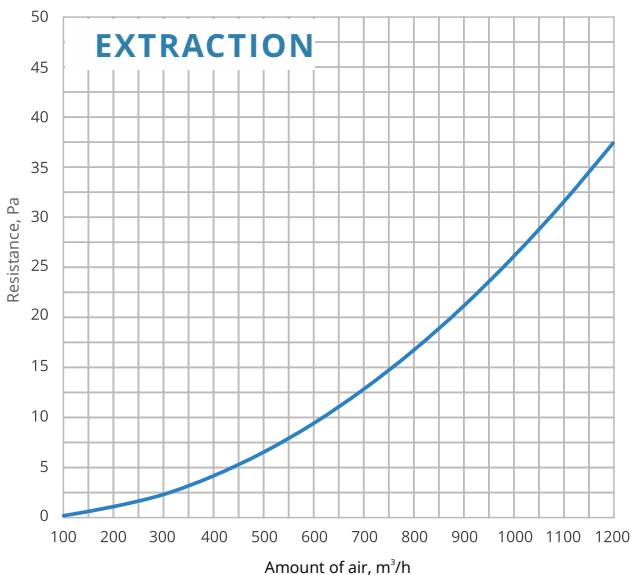
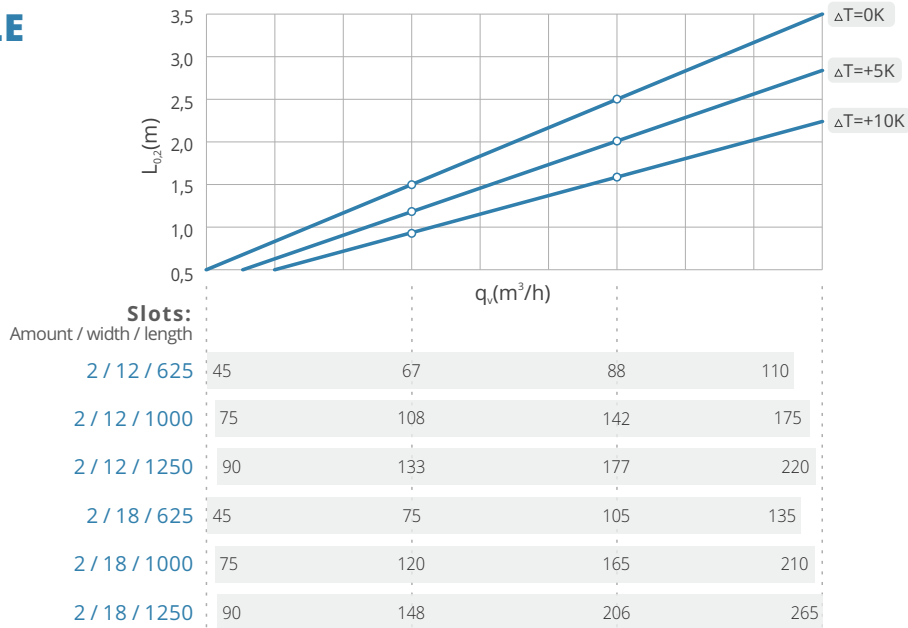
The two-slot diffuser integrates well in both walls and ceilings. It can be used in both extremely small and extremely large premises. Suitable for supplying or exhausting indoor air.

## PERCEPTIBLE AIRSPEED $L_{0,2}(m)$ DISTANCE



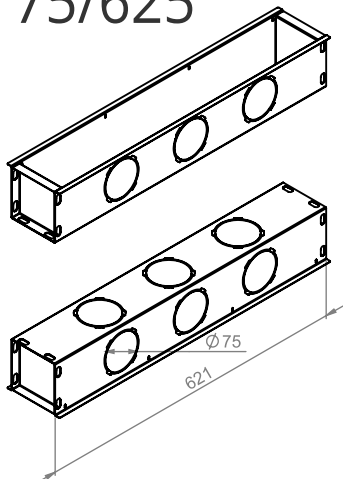
Airflow perceptible with the Line diffuser at a height of 2.70 m

## PERCEPTIBLE AIRSPEED REACH LIMIT

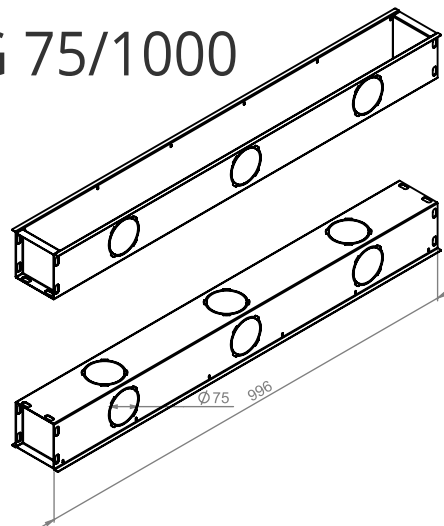


# STANDARD ACUSTIC BOXES GOOD TO GO

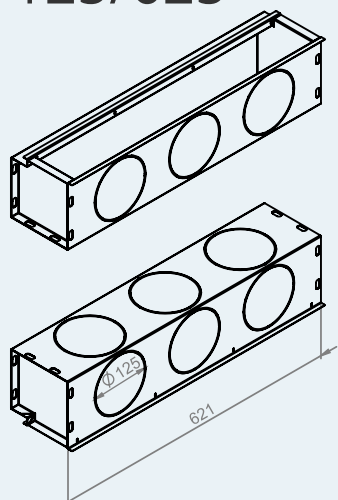
GTG 75/625



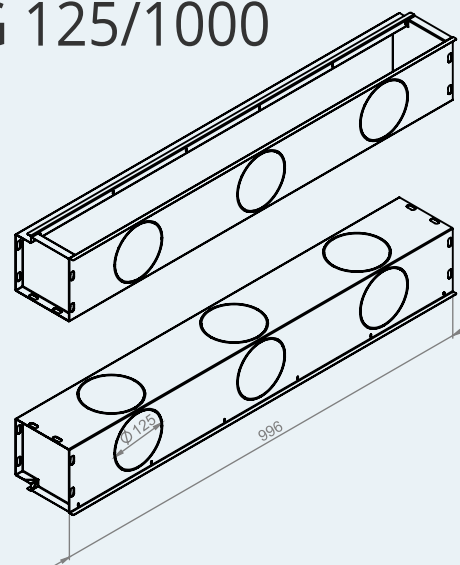
GTG 75/1000



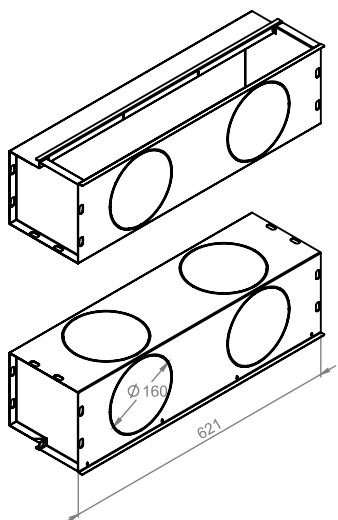
GTG 125/625



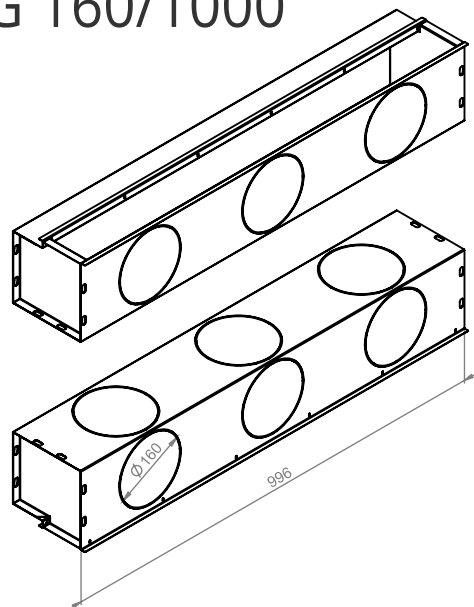
GTG 125/1000



GTG 160/625



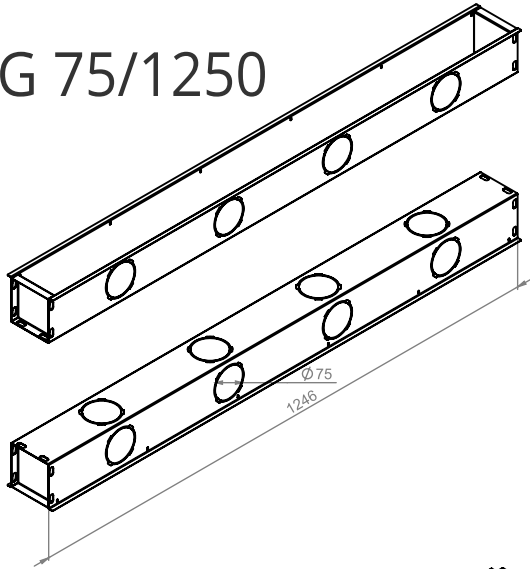
GTG 160/1000



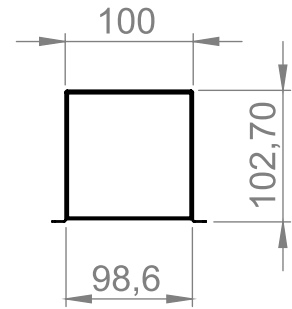
## SUITABLE FOR LINE DIFFUSERS: 1/12, 1/18, 2/12, 2,18

The junction boxes can be ordered with individual dimensions, the order sheet is at the end of the catalogue.

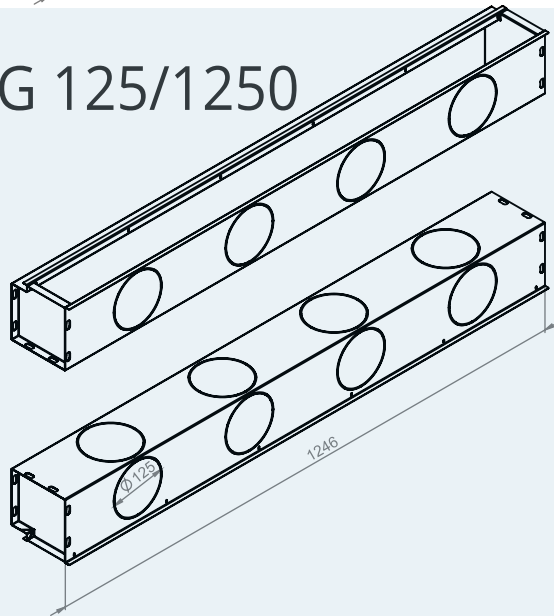
### GTG 75/1250



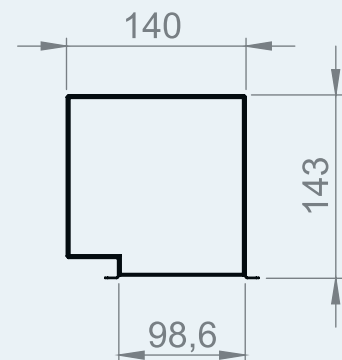
### GTG 75



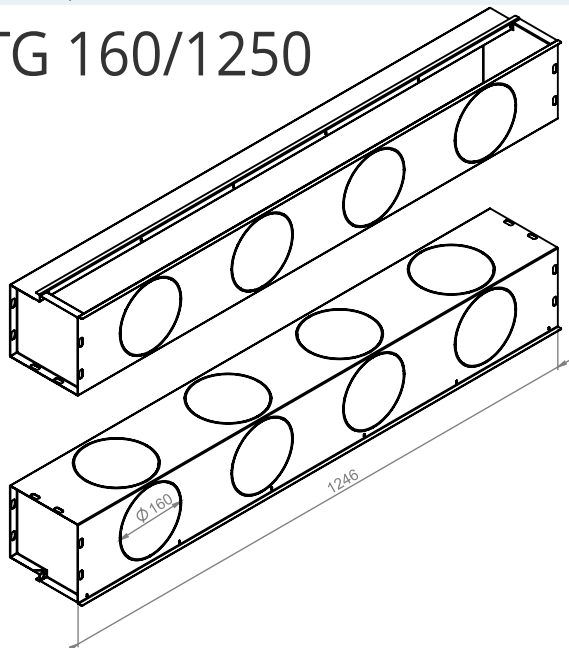
### GTG 125/1250



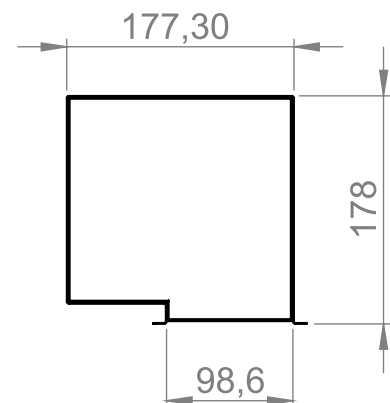
### GTG 125



### GTG 160/1250



### GTG 160





# LINE 3/12

## SLOT DIFFUSER



**3**  
AMOUNT OF SLOTS

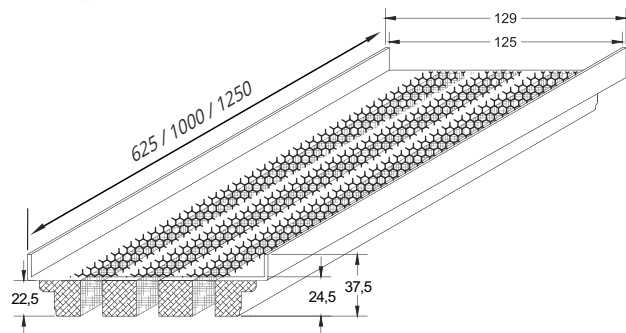
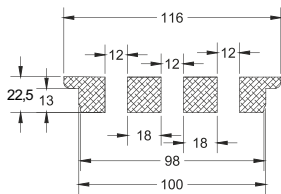
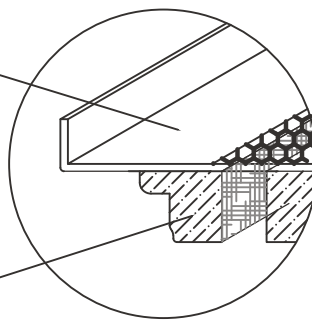
**12 mm**  
WIDTH OF SLOT

**4.085 kg**  
1 M. LENGTH DIFFUSER WEIGHT  
WITHOUT PACKAGING (NET)

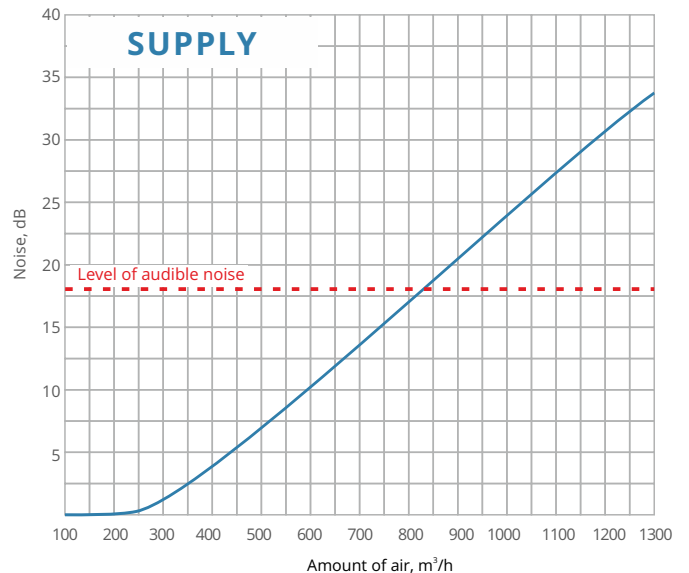
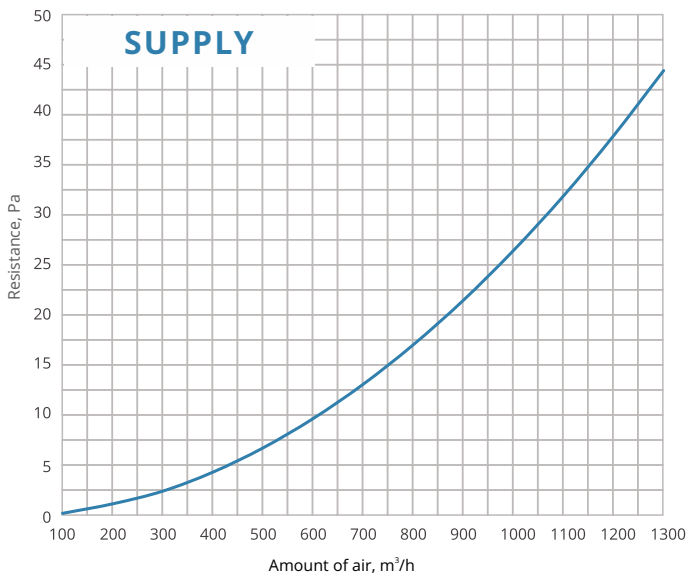
**625 / 1000 / 1250**  
STANDARD SLOT LENGTH (MM)

Steel, honeycomb punched sheet. Distributes the exhaust air through the diffuser.

Gypsum mix segment. Sanded, puttied, painted. Suitable for all operations in combination with surface finishing

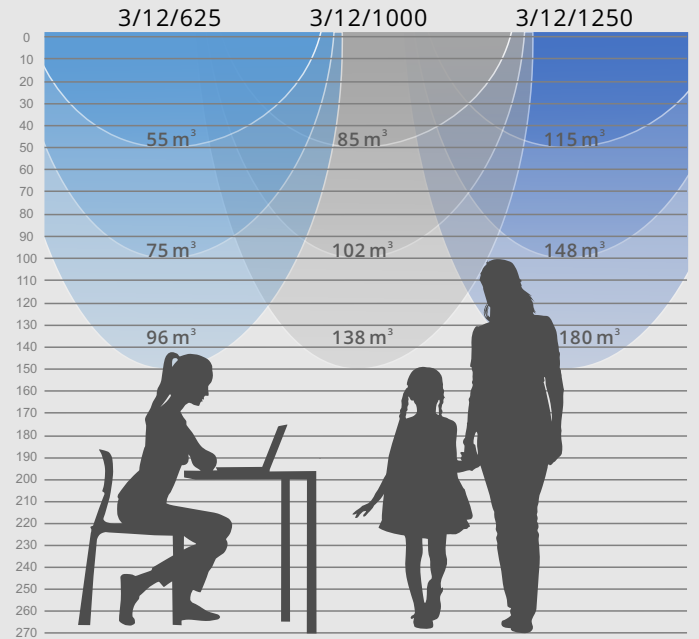


### Airborne noise and resistance, 1 m.



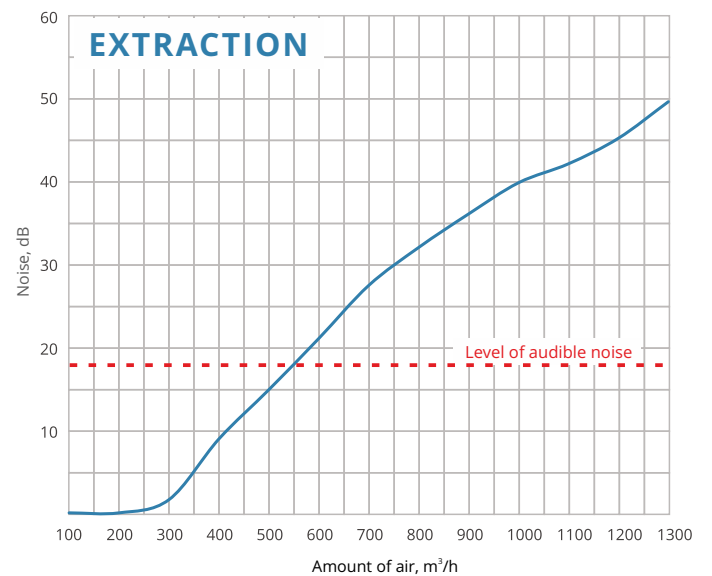
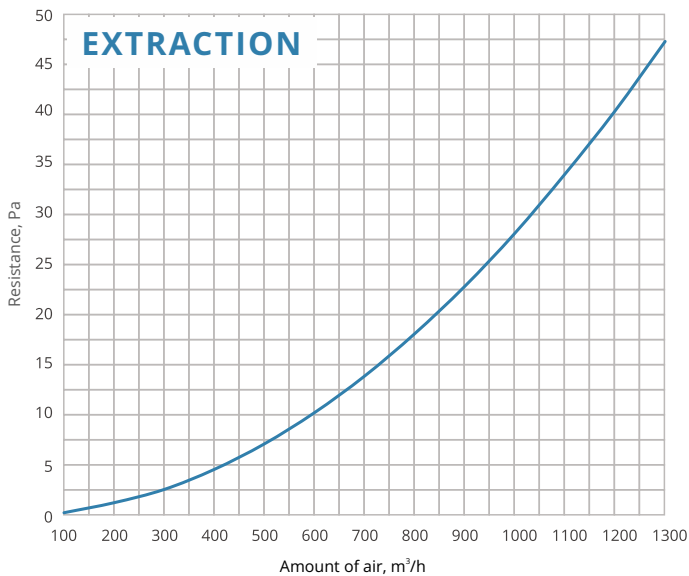
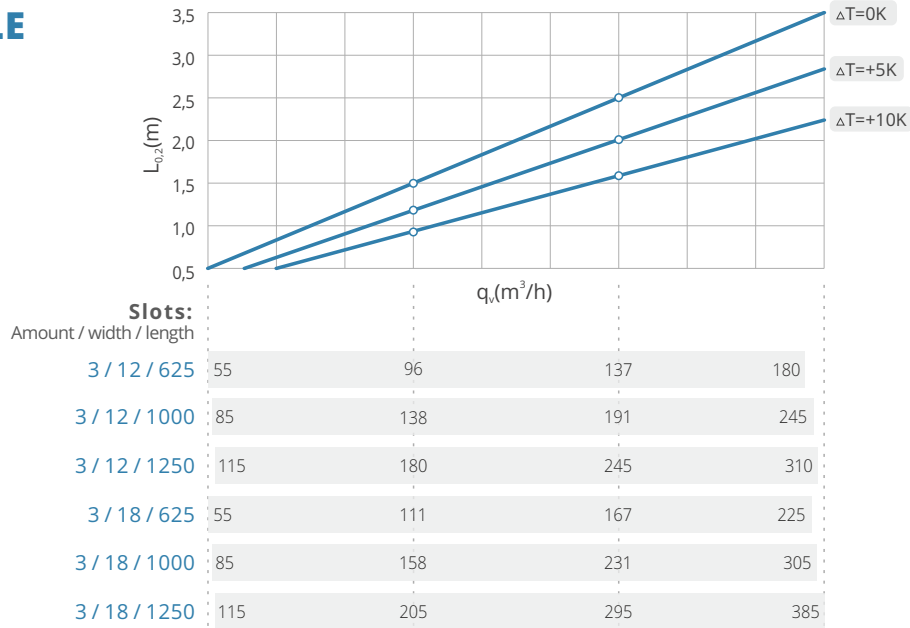
Slim version of this diffuser is characterized by lightness and elegance. It accomplishes the greatest technical tasks without obscuring the interior, causing noise or discomfort to residents

## PERCEPTIBLE AIRSPEED $L_{0,2}(m)$ DISTANCE



Airflow perceptible with the Line diffuser at a height of 2.70 m

## PERCEPTIBLE AIRSPEED REACH LIMIT



# LINE 3/18

## SLOT DIFFUSER



3

AMOUNT OF SLOTS

18 mm

WIDTH OF SLOT

4.085 kg

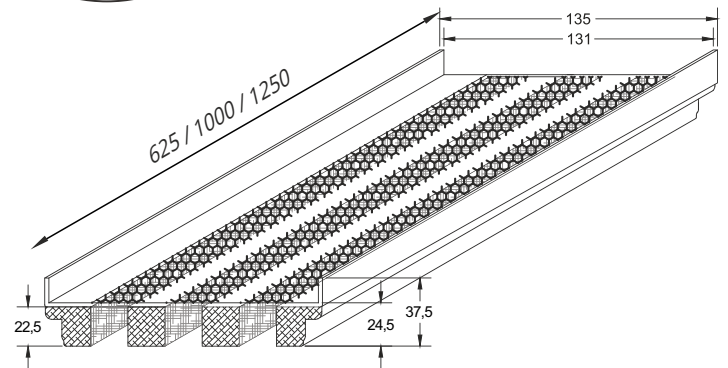
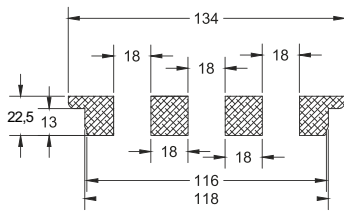
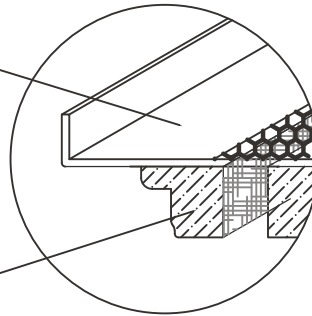
1 M. LENGTH DIFFUSER WEIGHT WITHOUT PACKAGING (NET)

625 / 1000 / 1250

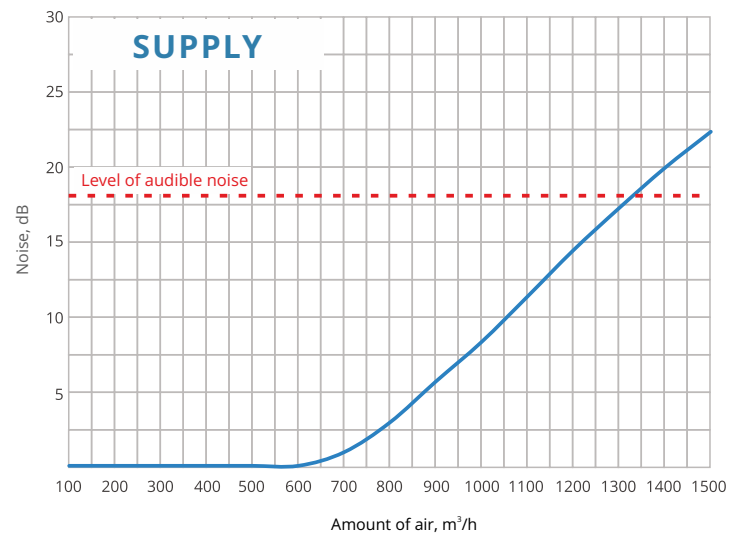
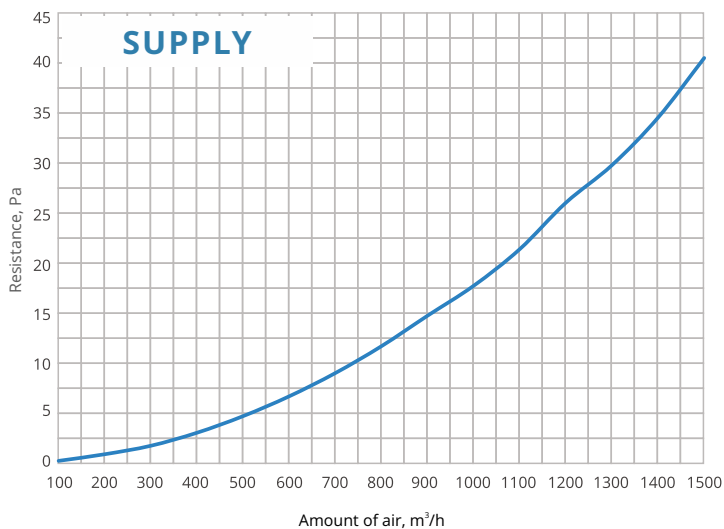
STANDARD SLOT LENGTH (MM)

Steel, honeycomb punched sheet. Distributes the exhaust air through the diffuser.

Gypsum mix segment. Sanded, puttied, painted. Suitable for all operations in combination with surface finishing

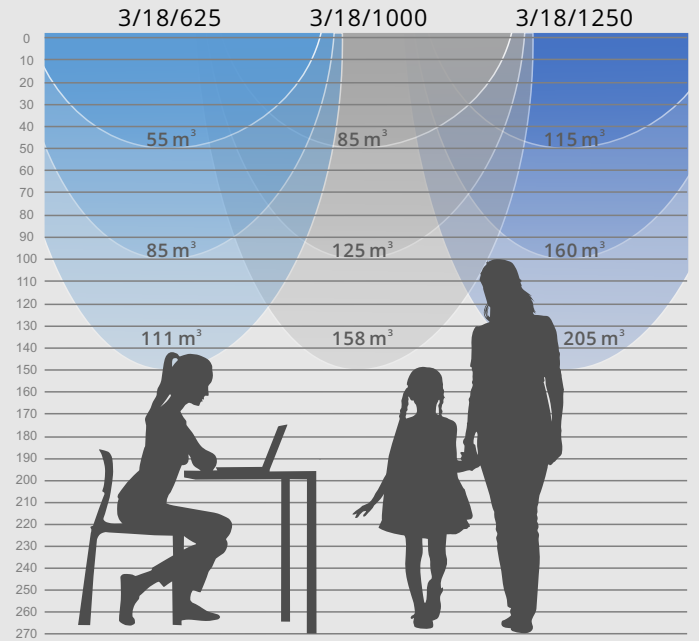


### Airborne noise and resistance, 1 m.



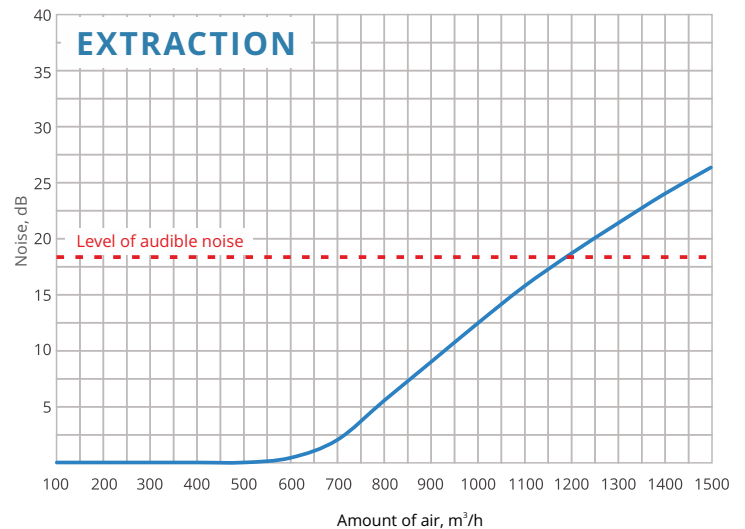
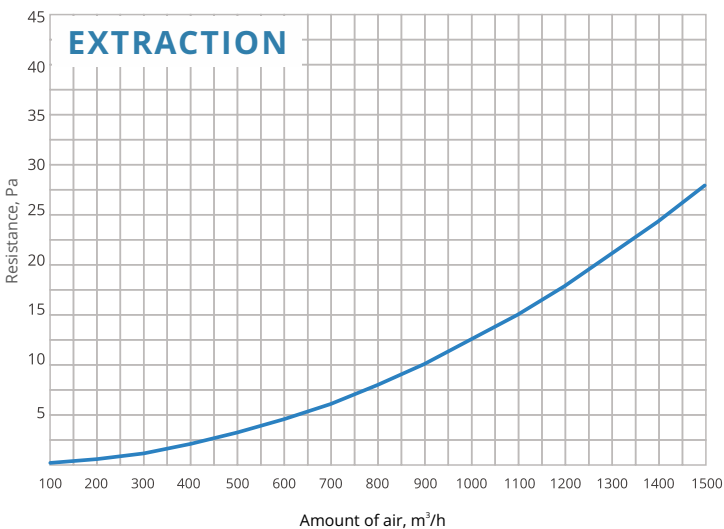
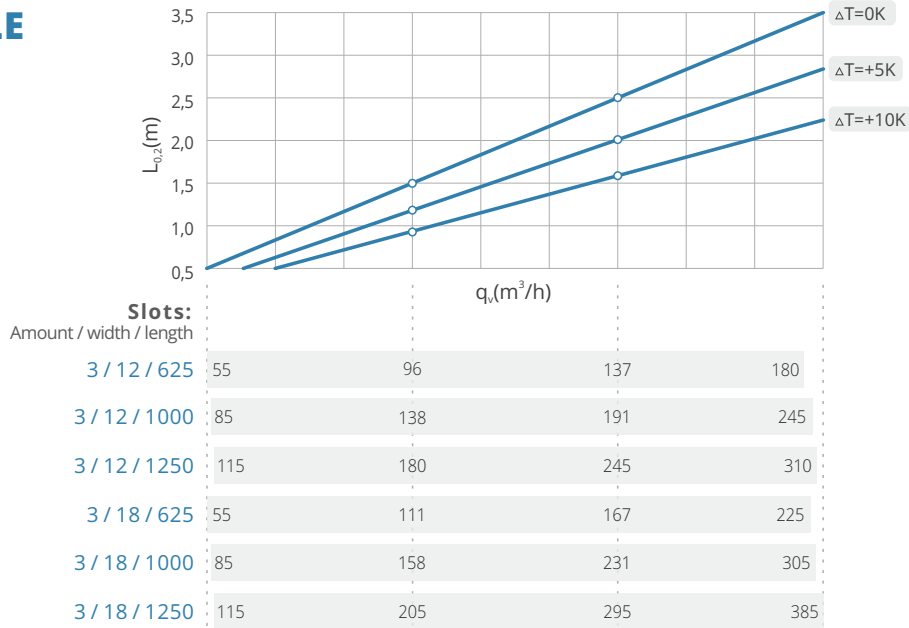
The three-slot diffuser is extremely efficient. It can let through the highest amount of air compared to other Line diffusers. It is well suited for places where changing air volumes can be a real challenge.

## PERCEPTIBLE AIRSPEED $L_{0,2}(m)$ DISTANCE



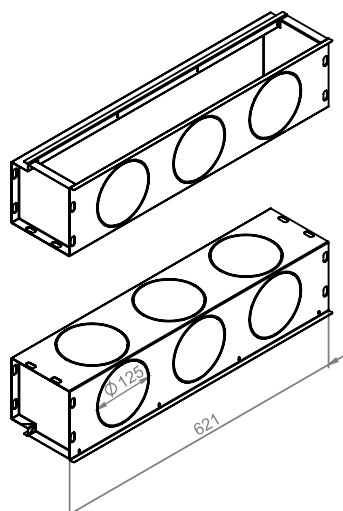
Airflow perceptible with the Line diffuser at a height of 2.70 m

## PERCEPTIBLE AIRSPEED REACH LIMIT

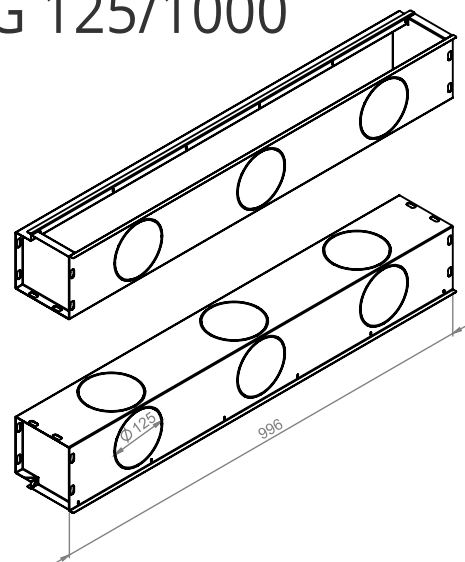


# STANDARD ACUSTIC BOXES GOOD TO GO

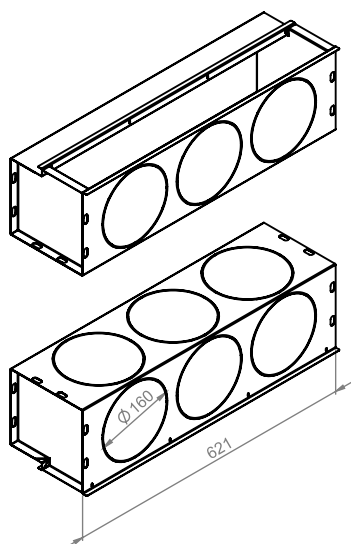
GTG 125/625



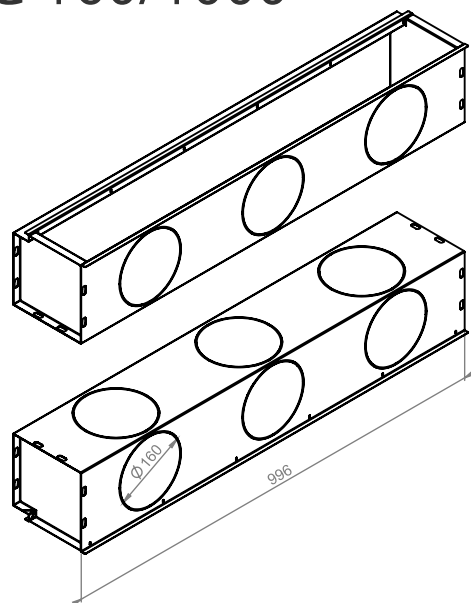
GTG 125/1000



GTG 160/625



GTG 160/1000

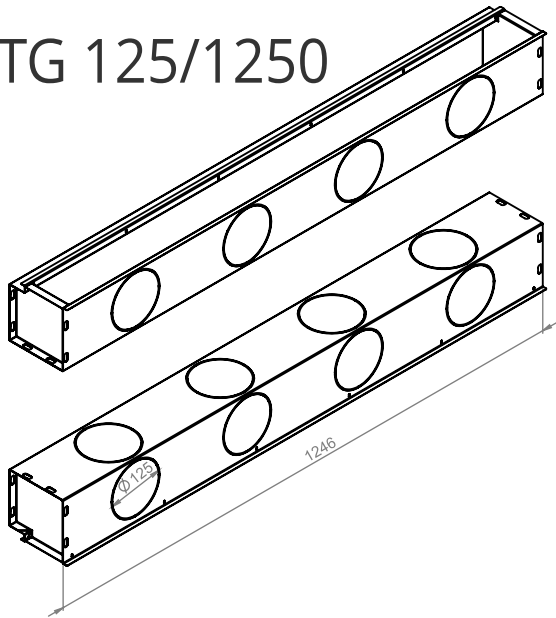




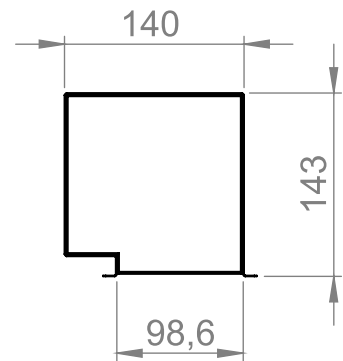
## SUITABLE FOR LINE DIFFUSERS: 3/12, 3/18

The junction boxes can be ordered with individual dimensions, the order sheet is at the end of the catalogue.

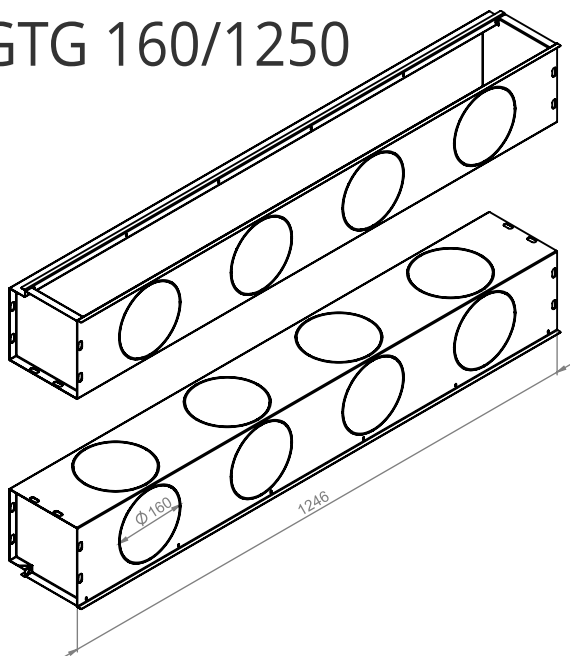
### GTG 125/1250



### GTG 125



### GTG 160/1250



### GTG 160

